

**MULTIFUNCTION TURNTABLE PLAYER WITH FM RADIO**

Please read these instructions carefully before any use and retain them in a safe place for your future reference.



**This device can be used by children over the age of 8 and by individuals with reduced physical, sensory or mental abilities with limited experience or knowledge, as long as they are correctly supervised or if they have been safely given the device operating instructions and if the involved risks have been fully taken into account. Children should not play with the device. User cleaning and maintenance should not be carried out by a child unsupervised.**

## **IMPORTANT SAFETY GUIDELINES**

Whenever using electrical devices, you should always observe certain basic precautions.

### **Precautions to be observed:**

1. **Read the instructions** - Read all safety and usage guidelines before using the device.
2. **Retain the instructions** - Retain the safety and usage guidelines in case of any need for future reference.
3. **Observe warnings** - You must adhere to all warnings featuring on the device and in the manual.
4. **Follow the instructions** - You must observe all usage guidance and information.
5. **Cleaning** - Unplug the device from the wall outlet before cleaning. Refrain from using any liquid or aerosol cleaning agents.
6. **Accessories** - Refrain from using accessories that are not recommended by the manufacturer as they could present a possible risk.
7. **Water and humidity** - Avoid exposing the device to water and humidity. Protect this device from water and all other liquids; no object containing water, such as a vase, should be placed on this device.
8. **Positioning** - Place the device on a stable surface before any use. If poorly positioned, the device could fall and suffer damage. Its fall could also seriously injure a child or adult.
9. **Transport** - This device should be moved carefully to avoid any risk of damage or injury.
10. **Ventilation** - The slots and openings are designed to ventilate the device. They also ensure its good working order by preventing overheating. Blocking or covering these openings is strictly prohibited. This device should not be placed in a closed item of furniture such as a bookcase or storage box to ensure its proper ventilation.  
To avoid risk of fire, do not obstruct the ventilation openings on the device with newspapers, cloths, curtains, etc. Do not place lit candles on the device. Do not place receptacles containing liquid (vases etc.) on the device. This would present a risk of fire or electrocution.
11. **Power supply** - This device should only ever be connected to a power supply which conforms to the information detailed on the data plate.
12. **Protection of electric cables** - The power cables must be protected against any risk of becoming tangled, stamped on or pinched.
13. **Lightning** - To protect the device in the event of a storm or when leaving it in unoccupied premises for a prolonged period, unplug it from the wall and disconnect it from the cable network. This will prevent your device from any damage caused by lightning or voltage surges.
14. **Overloading** - Do not overload the wall plug or extension cables as this will lead to a risk of fire and electrocution.
15. **Insertion of objects or liquids** - Refrain from inserting any objects into the device openings as they could come into contact with live electrical components or cause a short circuit and there would be a risk of electrocution or fire.
16. **Repairs** - Refrain from attempting to repair the device yourself as by opening or removing parts from the case you expose yourself to a risk of electrocution and other dangers. Refer to qualified, professional assistance in the event of needing to carry out repairs.
17. **Deterioration requiring repairs** - Unplug the device from the wall and hire a qualified professional to carry out the repair in the following cases:
  - a. If the power cord or plug becomes damaged.
  - b. If any liquid or objects fall into the device.
  - c. If the device has been exposed to the rain or has come into contact with water.
  - d. If the device is not functioning properly even after you have followed the troubleshooting guidance in the manual.
  - e. If the device has fallen or suffered any damage and no longer functions as before.
18. **Replacement parts** - If a part needs to be replaced, ensure that the technician uses the replacement part specified by the manufacturer or a part with the same characteristics as the original part. The replacement of any parts with unauthorized parts can result in fire, electrocution or other dangers.
19. **Safety check** - After any maintenance operations or repairs are carried out on the device, ask the technician to carry out safety checks in order to ensure that the device is in sound working order.
20. **Heat** - This device must be placed away from sources of heat such as radiators, hot air outlets, ovens and other devices (including amplifiers) that produce heat.

## PRECAUTIONS TO BE OBSERVED



**TO PREVENT FIRE OR SHOCK HAZARD, DO NOT USE THIS PLUG WITH AN EXTENSION CORD, RECEPTACLE OR OTHER UNLESS THE BLADES CAN BE FULLY INSERTED TO PREVENT BLADE EXPOSURE.**

1. To completely turn off the device, unplug the power cord from the wall outlet. You must always unplug the device if it is to remain unused for a prolonged period of time.
2. Incorrect use of the command and settings buttons or using the device in a way different to that specified in the present manual can expose you to dangerous radiation.
3. If this device is not in good working order, cease all use and contact the appropriate after-sales service department.

### **WARNING**

To reduce risk of fire or electrocution, do not expose this device to rain or humidity.

### **CAUTION**

#### **DANGER OF ELECTROCUTION - DO NOT OPEN!**

To reduce the risk of electrocution, do not remove the elements from housing. Internal parts must not be manipulated by the user. Refer to qualified, professional assistance in the event of needing to carry out repairs.



The symbol representing a lightning bolt with an arrowhead inside an equilateral triangle is a warning light for "dangerous voltage" that could lead to electrocution.



The exclamation mark inside the equilateral triangle indicates important operating or maintenance (repair) instructions in the documentation accompanying the device.

## **BEFORE ALL USE, READ THE PRECAUTIONS BELOW:**

1. Ensure a stable placement and avoid placing the device anywhere exposed to direct sunlight or near to a source of heat.
2. Avoid placing the device anywhere it could be exposed to vibrations, dust cold or humidity.
3. Do not place the device close or on top of other stereo equipments that radiate too much heat.
4. Once the record player is positioned, ensure that the plug is located near to the device and is easily accessible. Fit this chain in order to be able to immediately unplug the power supply from the source outlet in the event of a problem.
5. Do not open the device as doing so would risk electrocution. If a foreign object accidentally becomes inserted into the device, contact your vendor.
6. In order to disconnect the device power supply, pull on the plug, NOT the cable.
7. To completely turn off the device, unplug the power cord from the wall outlet.
8. Before using the turn table, check that its operating voltage is identical to that of the local supply.

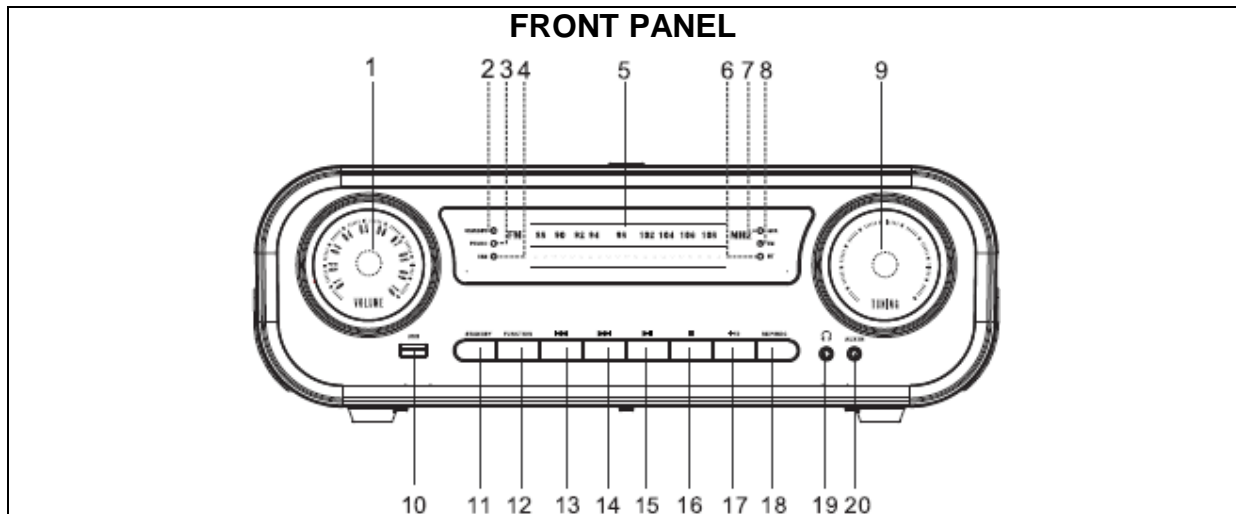
## **PROTECT YOUR FURNITURE**

Before installing your device on fine wooden furniture or if you regularly use oil-based furniture polishes, wood preservatives or cleaning sprays to maintain or clean your device, put small self-adhesive felt pads on each bottom of the rubber feet to avoid marks on the furniture.

## **SPECIFICATIONS**

- Multifunction turntable: 12V  $\overline{\text{---}}$  1A
- Adapter: Input: AC 100/240V 50/ 60Hz 0.65A MAX, Output: 12.0V  $\overline{\text{---}}$  1A
- FM Frequency Range: 88 - 108MHz
- Built-in speakers: 2 x 1.5 W
- Belt Drive
- 3 Speed (33, 45, 78t/MN)
- Bluetooth function 4.2
- RCA Output
- 3.5 mm headphone jack

## LOCATION OF CONTROLS AND INDICATORS



- |                              |                       |                        |
|------------------------------|-----------------------|------------------------|
| 1) Volume knob               | 8) FM indicator light | 15) Play/Pause         |
| 2) Standby indicator light   | 9) FM tuning knob     | 16) Stop               |
| 3) Phono indicator light     | 10) USB input         | 17) "+ 10 " key        |
| 4) USB indicator light       | 11) Standby           | 18) Repetition /Record |
| 5) FM tuner                  | 12) Function          | 19) Headphone          |
| 6) Bluetooth indicator light | 13) Previous track    | 20) AUX input          |
| 7) AUX indicator light       | 14) Next track        |                        |

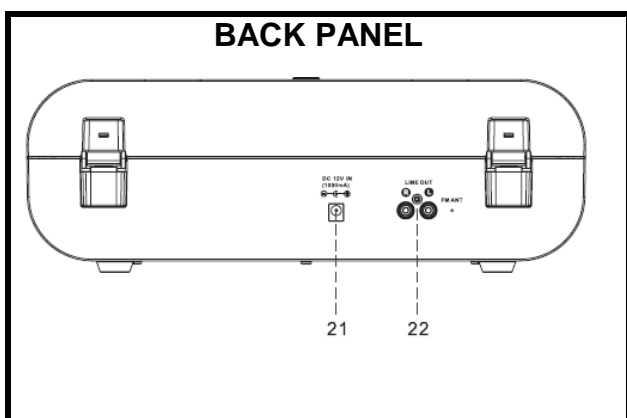
### headphones (not included)

- Ensure that the volume is not too loud before using your headphones.
- Insert headphones into the headphone' jack.

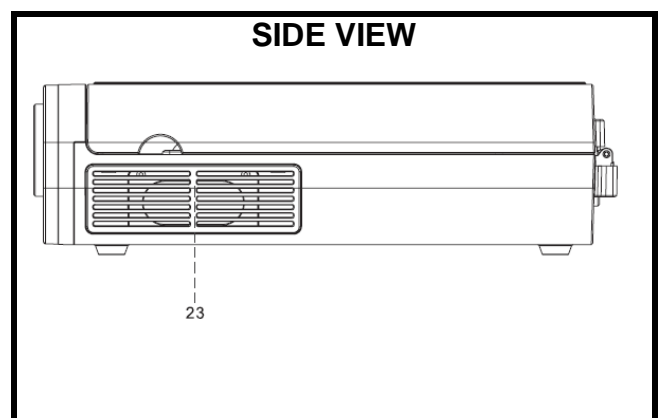
**To avoid possible hearing damage, do not listen at high volume levels for long periods.**

**Make sure to adjust volume to a sound level that best fits your hearing sensitivity.**

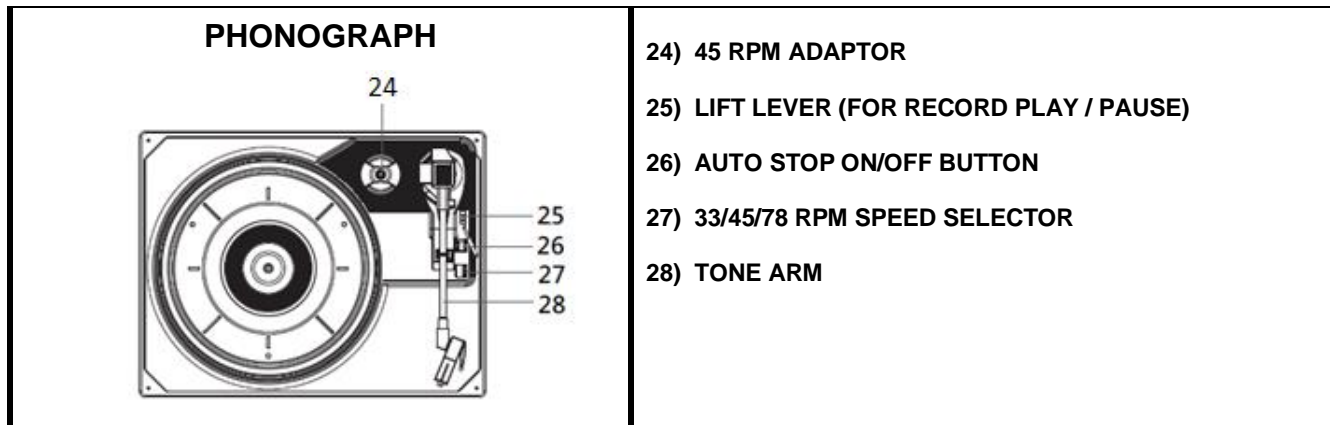
## LOCATION OF CONTROLS AND INDICATORS



- 21) Power  
22) RCA output



- 23) Speaker



## OPERATING INSTRUCTIONS

### Powering on the device

Insert one end of the power cord, on the back of the multifunction turntable player, into the power socket. Plug the other end, which has the mains plug, into a power outlet. Note: Please make sure the cord is securely inserted into the back of the device.

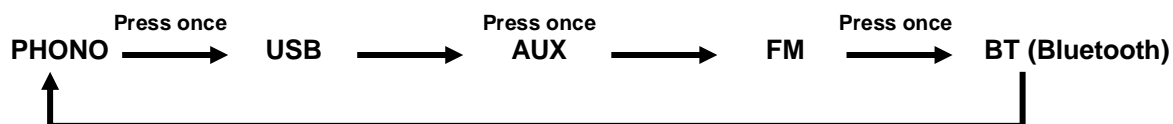
The standby LED indicator turns on. The device is on.

### STANDBY MODE

Press "STANDBY" key (11) to switch to the "PHONO" mode. The phono indicator is on. Press again to switch to "STANDBY" key. The "STANDBY" indicator is on.

### MODE Function

Press "FUNCTION" key (12) to toggle between the different modes. The sequence is as below:



**NOTES:** If you are in "STANDBY" mode, first press "STANDBY" key to switch to "PHONO" mode. Then press "FUNCTION" key repeatedly to select the desired mode.

If you are under one of these following modes: PHONO/ USB/ AUX IN and there is no operation (no music, button pressing, etc.) for over 10 minutes, the unit will automatically switch to STANDBY mode for energy saving.

### PHONO OPERATION

1. Press "STANDBY" key to switch to "PHONO" mode. The phono indicator is on. Note: If you are already in another mode: USB, AUX, FM or BT, press "FUNCTION" key repeatedly to select "PHONO" Mode.
2. Lift the cover.
3. Put a record on the platter. Adjust the speed selector to the appropriate position: 33, 45 or 78 rpm, depending on the type of record you placed. Note: If you put a 45rpm record, place the 45 rpm adaptor in the center.
4. Set the auto stop control to ON if you want the turntable to stop turning when it has reached the end of the record. If the switch is set to OFF, the turntable will continue turning at the end of the record.
5. Remove the plastic protective cover from the head of the tone-arm.
6. Detach the tone-arm from the fastening clip of the tone arm rest.

7. Push the lift lever upward to raise the tone arm from the arm rest. Slowly move it to the record side. The platter will start rotating. Note: If the platter is not rotating, gently push the tone-arm next to the lift-lever or close the center of platter.
8. Push the lift lever downward and the tone arm will gently drop onto the record. The record playback will start.
9. Push the lift lever upward to raise the tone arm from the arm park, now the platter will still be rotating but the phono playback will stop. To continue the playback, put down the lift lever.
10. At the end of the record, the platter will automatically stop rotating. Push the lift lever upward to raise the tone arm and move it to the arm park, and then put down the lift lever. Note: The tone-arm can be moved manually. Just lift it from the record and return it to the arm rest.

IMPORTANT NOTE: For some records, the auto-stop area can be out of the unit setting. Thus, the playback of these records may stop before the last track finishes. In this case set the auto-stop switch to "OFF" position. Then it will play to the end of the record. Then, to stop the rotation of the platter, set the auto-stop switch to "ON" position, then put back the tone arm to the arm-rest.

## PHONO ENCODING

### Encoding format: MP3 only

1. On standby mode, insert the USB stick to USB slot.




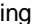

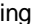
Notes: Make sure there is sufficient space on the USB key before encoding operation otherwise it won't be possible to do it.

2. Press "**STANDBY**" key to switch to "**PHONO**" mode.
3. Follow steps 3 to 7 from the section "PHONO OPERATION".
4. Press "**REP/ REC**" key. The phono indicator will then be flashing when it is encoding.
5. To finish encoding, press "**REP/ REC**" key. Then the unit will switch to USB mode and play the track you've just recorded.

## PLAYBACK OF AUDIO FILES VIA USB STORAGE MEDIA

**Compatible audio files: MP3, WAV and WMA.**

**Maximum capacity of USB key: 32GB (not included)**

1. Plug in the USB stick.
2. Press "**FUNCTION**" key repeatedly to select USB mode. Note: if it is in STANDBY mode (the standby indicator is on), first press "**STANDBY**" key to switch to "**PHONO**" mode before pressing "**FUNCTION**" key.
3. If there are audio files on the USB storage media, the playback automatically starts. Press "Play/ Pause" key  once to pause. Press again to resume the playback.
4. Press **stop button**  to stop audio playback
5. During playback, press  or  key once to play the next or previous file. Press and hold  or  key to fast forward or rewind through the audio file.

### "+10" KEY FOR MP3 QUICK SEARCHING

Press "+10" key and the unit will skip the next 10 track for quicker selection of mp3 audio files.

### REPEAT FUNCTION

- During **USB** playback of your favourite track, press "**REP/ REC button**" once. The USB indicator will be flashing. The playback of this single track will be carried out repeatedly.

- Press "**REP/ REC button**" again. USB indicator will be flashing rapidly. All tracks contained in the **USB** device will be repeatedly played in a cycle.

**Important note:** There are numerous USB device producers and their products vary in and formats. We therefore cannot guarantee that this unit will support all USB devices from every brand.

## AUX IN FUNCTION

1. Press "FUNCTION" button repeatedly to select "AUX" mode. The AUX indicator is on. Note: If you are in **STANDBY** mode, first press **STANDBY** key to switch to "**PHONO**" mode before pressing to "**FUNCTION**" key.
2. Connect your external audio device with your device (AUX IN port), using a 3.5mm jack cable (not included).

## AUX IN ENCODING

**Encoding format: MP3 only**

1. On standby mode, insert the USB stick to USB slot.

Notes: Make sure there is sufficient space on the USB key before encoding operation otherwise it won't be possible to do it.
--

2. Press "**STANDBY**" key to switch to "**PHONO**" mode.
3. Press "**FUNCTION**" key repeatedly to select "**AUX**" Mode.
4. Use an AUX cable (not included) to connect the turntable (AUX port) with the external audio.
5. Press "**REP/ REC**" key. The phono indicator will then be flashing when it is encoding.
6. To finish encoding, press "**REP/ REC**" key again. Then the unit will switch to USB mode and play what you've just recorded.

## FM RADIO

1. Press "**FUNCTION**" key (**12**) repeatedly to select "**FM**" (radio mode). The FM indicator is on.
2. Turn the tuning knob (**9**) to select the desired radio channel frequency, which is shown on the radio scale.
3. Turn the volume knob (**1**) to adjust the volume.
4. For best reception, completely unravel the built-in FM wire antenna hanging at the rear cabinet. Fully extend it and adjust its position and direction until you find the best reception.

## BLUETOOTH (BT) OPERATION

- Before associating the turntable to the device bluetooth (phone, Smartphone, tablet, etc.), turn on the bluetooth device. Activate the bluetooth function in the setting menu of your device.
- 
- Press "**FUNCTION**" key repeatedly to select bluetooth mode. "**BT**" indicator lights up in blue, flashing. Note: If you are in "**STANDBY**" mode, first press **STANDBY** key to switch to "**PHONO**" mode before pressing to "**FUNCTION**" key.
- When the "**BT**" indicator flashes in blue, the unit is then ready to be connected with your bluetooth device.
- Select "**EP741NEMOTECH**" and then click "associate" to perform the pairing operation. Note: If you are asked an association code, enter "0000". For more information, refer to the manual of your bluetooth device.

- When the turntable is successfully connected with your device, the blue "BT" indicator will be solid (not flashing anymore). Then, you can play music from your bluetooth device and it can be heard from the turntable. .

**NOTE:** Make sure the distance between your bluetooth device and the unit is within 10 meters.

## **CONNECTING THE RECORD PLAYER TO LOUD SPEAKER, AN AMPLIFIER, MIXER, etc.**

Use an RCA cable (not included) to connect to the RCA output (22) to loudspeakers, an amplifier , etc. with their/ its own power supply.

Ensure that the red and white cables are securely inserted into the red and white sockets respectively.

Set the volume to the desired level.

**WARNING: You should not dispose of this device with your household waste. A selective collection system for this type of product is implemented by your local authorities. Please contact your local authorities to find out how and where collection takes place. These restrictions apply because electrical and electronic devices contain dangerous substances that have harmful effects on the environment or on human health and must be recycled.**

**This symbol indicates that electrical and electronic devices are collected selectively. The symbol shows a waste container crossed out with an X symbol.**

**If the power cable is damaged, it must be replaced by the manufacturer, his after sales service, or a person qualified in this area in order to avoid any accidents arising.**

**Imported by EML/ PRODIS, 1 rue de Rome, 93110 Rosny-sous-Bois, France/ Made in P.R.C.**

**Marketed by EUROtops Versand GmbH, Elisabeth-Selbert-Str.3, D-40764 LANGENFELD, Germany**

