

MD820/ JN-300LED

## FOUNTAIN WITH SOLAR LIGHTHOUSE

### INSTRUCTION MANUAL

**PLEASE READ THE MANUAL BEFORE YOUR FIRST USE.  
KEEP THIS MANUAL SAFE FOR FUTURE REFERENCE!**

### SPECIFICATIONS

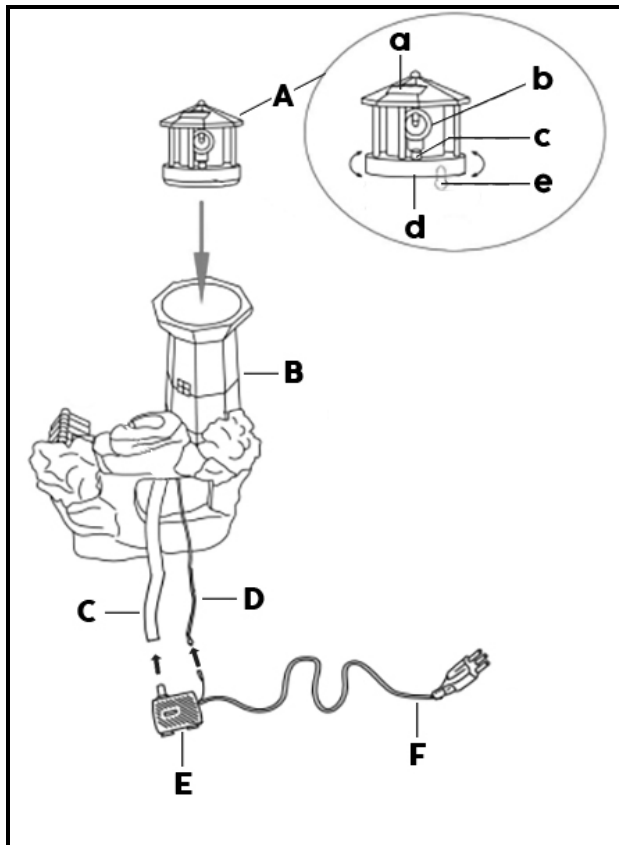
- Solar fountain with solar light: 12V 300mA
- Solar panel : 2 monocrystalline silicon panels **2V 35mA** each
- Pump: Input: AC **12V, 50Hz, 3W**
- Battery: 1 x Ni-MH AA battery, 1.2V/ 600mAh
- Max flow quantity of pump: 180 L/H
- LED: 3 pieces of LED 0.075W, 5 Lumens each
- Charging time for full charge: around 7 hours if the sunlight is strong

### INSTALLATION

Before use, check that the accessories below are included:

- One Solar LED lamp with two solar panels on the top and one battery in battery compartment
- Main part of the fountain (x1)
- Water pump (x1)
- Adapter (x1)

### PRODUCT DESCRIPTION



**A. Solar LED lamp** (see step 5 in section "Assembly instructions" to install it correctly)

**B. Main part of the fountain**

**C. Hose of the pump**

**D. LED light cable**

**E. Pump**

**F. Power cable**

**a. Solar panel (x2)**

**b. LED light**

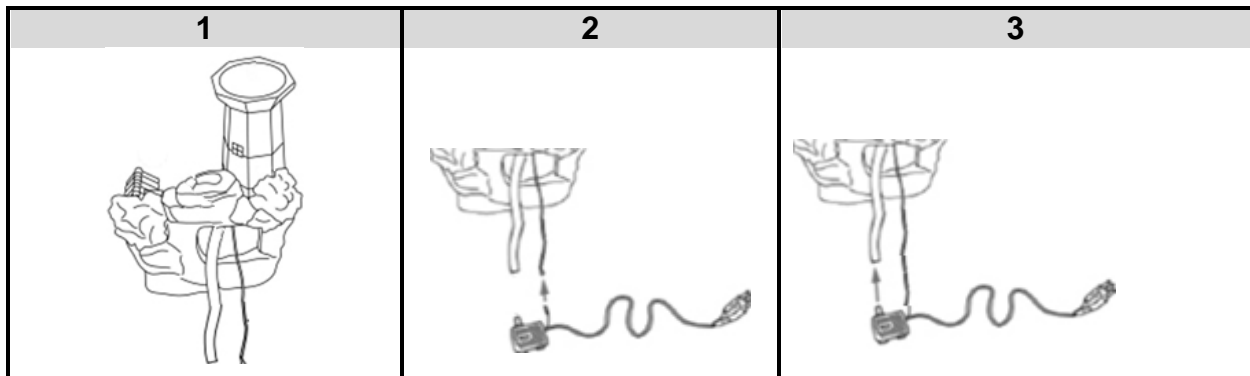
**c. ON/ OFF button**

**d. Battery compartment (under the LED light)**

**e. Insulating trip (to remove before first use)**

**Note:** The upper LED is powered by the solar panel which converts solar power into the rechargeable battery during the day. At night, the light turns on automatically by stored energy. The pump and 3 other LEDs are powered by the adapter that should be plugged into the mains.

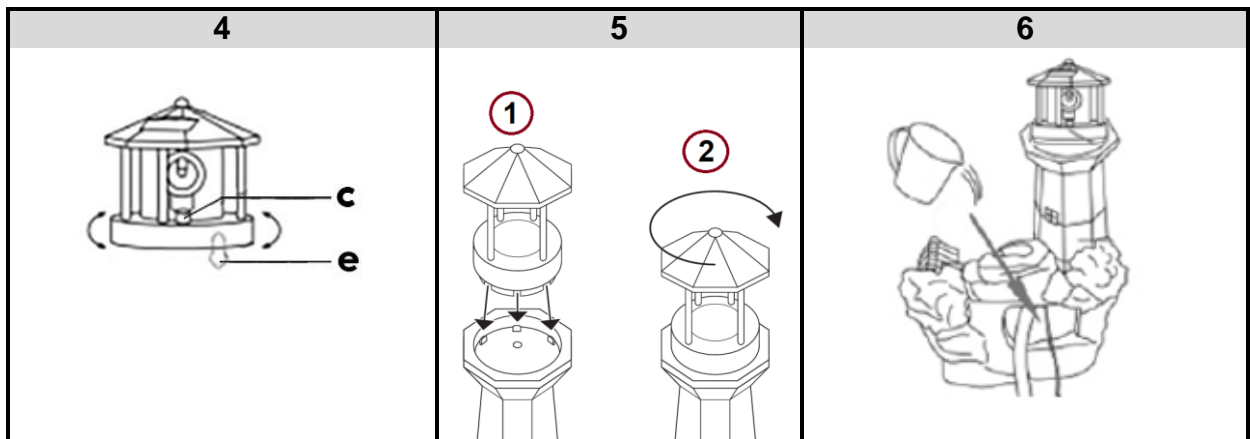
## ASSEMBLY INSTRUCTIONS



Place the main part (B) on a flat surface, in a location where it can receive direct sunlight.

Connect the LED light cable (D) with the pump (E).  
Note: The LED light cable is pre-installed in the fountain.

Connect the hose (C) with the pump (E).



- Underneath the solar LED lamp (A), remove the cover of battery compartment, and then the insulating strip (e). After ensuring the battery is well installed, replace the battery cover.
- Press the ON/OFF button (c) on the solar light (A) so that the LED light will turn on automatically at night. **To check that it is correctly in the "ON" position, cover the solar panels with your hand and light should turn "ON" automatically** if it is sufficiently charged.

- Install the solar light (A) by aligning the holes, located under the LED lamp (base), with the tabs inside the hole of the main part of the fountain (B).
- Turn the solar LED light to lock it.

Put water into the basin of the fountain (about ½ way full). Then place the hose, the LED cable and the pump in the water. Make sure there is enough water in the bottom of the fountain so that the pump will be completely submersed. Finally, connect the pump power cord to the adapter, plug the adapter to the wall outlet to run the fountain and enjoy.

**IMPORTANT: The button should be in ON position when charging otherwise it may not charge. The duration of illumination of light depends on your geographical location, weather conditions and seasonal light availability.**

## FUNCTION

- Once the adapter is plugged, the waterfall will work and three LED lights on the front will be on.
- When the brightness is low or it is dark, the LED lamp at the top of the fountain will automatically turn on if the ON/OFF button has been pressed. The LED lamp is off during the day even if the

ON/OFF button is pressed.

**NOTES :**

1. The water pump is equipped with functions of waterproof protection and plugging protection. If there are some obstructions which block the proper functioning of the pump, it will automatically stop working. First, pull the pump plug, remove the object causing obstruction, then plug the pump again.
2. DO NOT plug the adapter if there is not enough water behind the fountain, otherwise it may damage the pump.
3. If the fountain is not used for a long time, please take out the battery.

**Caution**

- Always keep the pump under the water surface when operating. It must always be completely covered to ensure cooling.
- Never touch the pump when operation. Never let the pump run dry.
- Filtered water is recommended to prevent limescale buildup in the pump and hoses.
- Change water frequently to keep the water clean in order to avoid any dirt to impede the pump.
- Always unplug the power cord before performing cleaning or maintenance
- Only use the fountain with the included adapter.
- Check if there are blockages and kinks on the hose before plugging it to the pump.
- The water temperature should never be more than 35 °C.
- Do not turn on the product if it the fountain, pump or adapter is/ are damaged.
- Do not drop, short circuit, modify, disassemble, or puncture.
- Handle the product with care. A blow, a shock or a fall, even from a low height, can damage it.
- Never attempt to disassemble or repair it yourself. Please contact an authorized service center. All repairs should be performed by a qualified technician.
- It is not toy. Children should be supervised to ensure they do not play with the device.

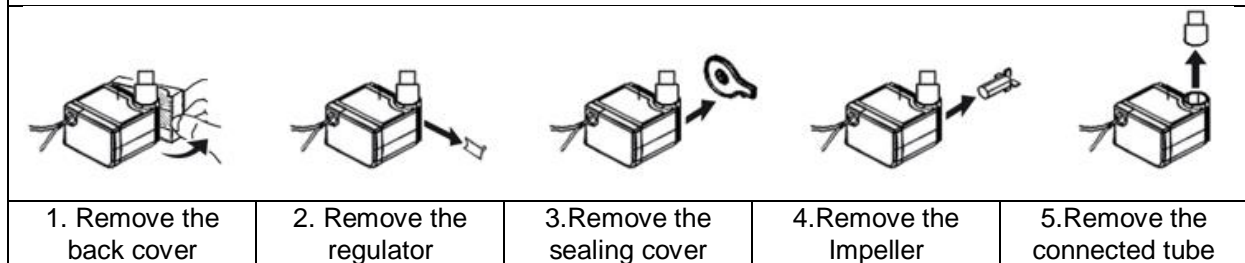
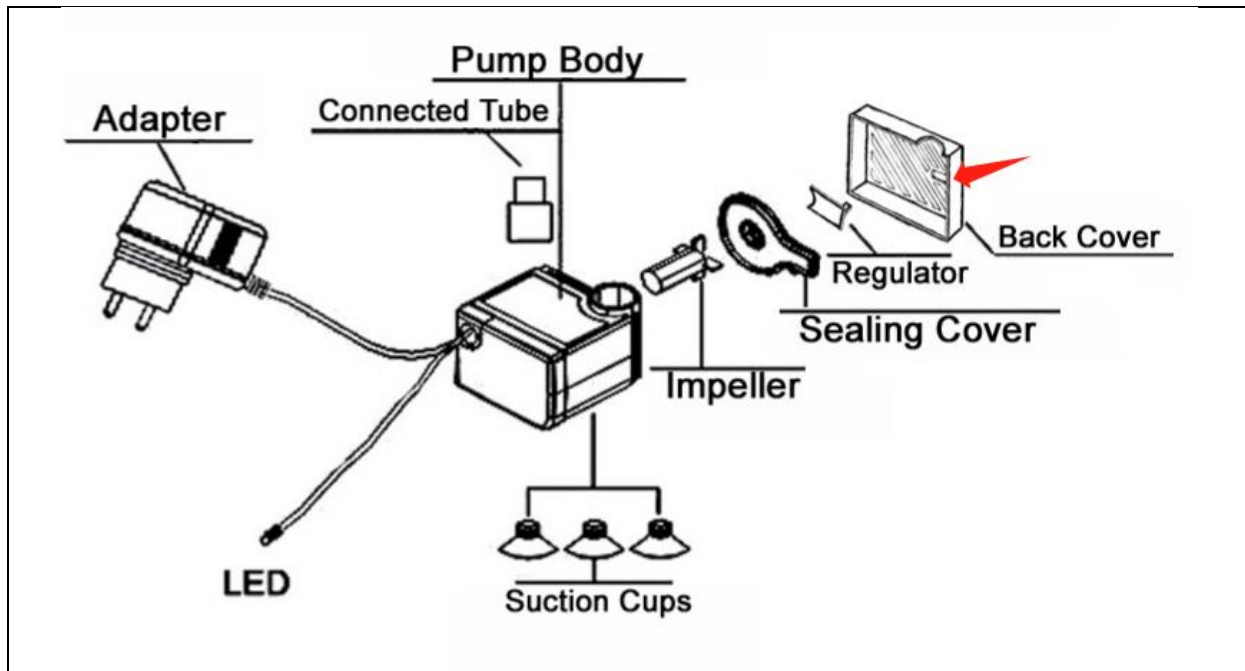
**SAFE INSTRUCTIONS FOR RECHARGEABLE BATTERY**

**ATTENTION**

- Do not disassemble or modify the battery.
- The battery should not be removed until it is not completely discharged.
- The battery must be removed from the appliance before it is scrapped.
- The battery must be disposed safely.

**CLEANING AND MAINTENANCE**

- After use, clean the pump filter (on the back cover), located on the pump's socket. See below for the procedure of removal.



- Regularly clean the main parts above with a wet wipe. Then wipe dry.
- **DO NOT** touch the surface of the solar panels.
- If there are some scale stains near the solar panels, clean them with a soft tissue.
- The surfaces of the solar panels must be kept clean. If they are dusty, it will reduce the efficiency of charging. Clean the surfaces of the unit with a soft damp and lint-free cloth regularly to prevent debris from building up.  
**Note: Do not use abrasive or chemical products to clean the solar panels.**
- When not in use, store in a dry cool place.



**WARNING: You should not dispose of this device with your household waste. A selective collection system for this type of product is implemented by your local authorities. Please contact your local authorities to find out how and where collection takes place. These restrictions apply because electrical and electronic devices contain dangerous substances that have harmful effects on the environment or on human health and must be recycled. This symbol indicates that electrical and electronic devices are collected selectively. The symbol shows a waste container crossed out with an X symbol.**



Marketed by EUROTUPS VERSAND GMBH D-40764 LANGENFELD

Imported by EML – trading name Prodis 1, rue de Rome 93110 Rosny-sous-Bois-France/ Made in P.R.C.